

Model 28

Vishay Spectrol



28mm Dia Twenty-One Turn Dial



FEATURES

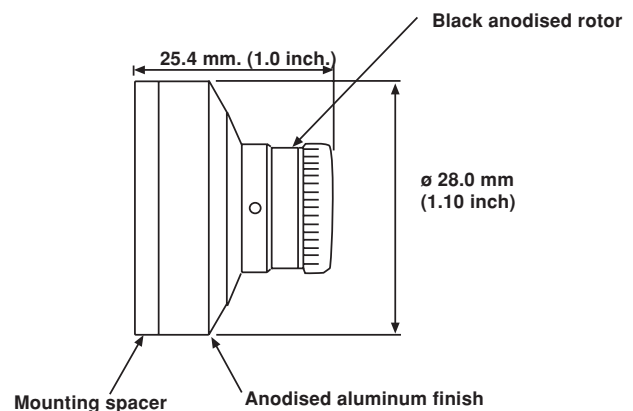
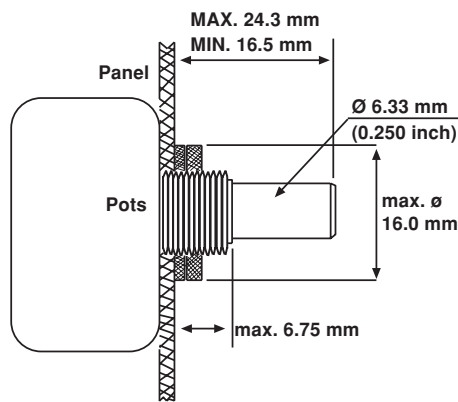
- Laser Machined Markings (e.g. Logo) per Customer Design
- Shaft Bore Variations Available
- Special Mounting Spacers
- Double Mounting Screws available
- Custom Cover Colours (Red, Blue, Green, Yellow, Bronze)

MECHANICAL SPECIFICATIONS	
PARAMETER	
Temperature Range	- 20 to + 50°C
Operating Torque	0.75 oz/inch maximum
Weight	23gm
Housing	Metal housing treated against corrosion
Finish	Aluminum anodized
Bearing	Precision ball bearing for uniform movement

TECHNICAL SPECIFICATIONS	
Readout and Operation	21 turns total The number in the window (0 thru 20) indicates the percent of a partial turn of the drive sleeve
Brake Lever	Metal brake operates a high torque system which actuates brake

MARKING	
Unit Identification	Manufacturer's name and model number

DIMENSIONS in millimeters (inches)



ORDERING INFORMATION		
28	1	11
MODEL	SHAFT DIAMETER	FINISH
ACCOMMODATION AND FIXINGS		
B = Black anodized M = Metric bore 6mm BM = Black Anodized, Metric bore	1. 1/4" Dia. shaft - 1 set screw 2. 1/4" Dia. shaft - 2 set screws 3. 1/8" Dia. shaft - 1 set screw 4. 1/8" Dia. shaft - 2 set screws	11. Clear satin anodized housing, black rotor, white markings 21. Black anodized housing, black rotor, white markings
Example: 28 - 1 - 11		



Notice

Specifications of the products displayed herein are subject to change without notice. Vishay Intertechnology, Inc., or anyone on its behalf, assumes no responsibility or liability for any errors or inaccuracies.

Information contained herein is intended to provide a product description only. No license, express or implied, by estoppel or otherwise, to any intellectual property rights is granted by this document. Except as provided in Vishay's terms and conditions of sale for such products, Vishay assumes no liability whatsoever, and disclaims any express or implied warranty, relating to sale and/or use of Vishay products including liability or warranties relating to fitness for a particular purpose, merchantability, or infringement of any patent, copyright, or other intellectual property right.

The products shown herein are not designed for use in medical, life-saving, or life-sustaining applications. Customers using or selling these products for use in such applications do so at their own risk and agree to fully indemnify Vishay for any damages resulting from such improper use or sale.