

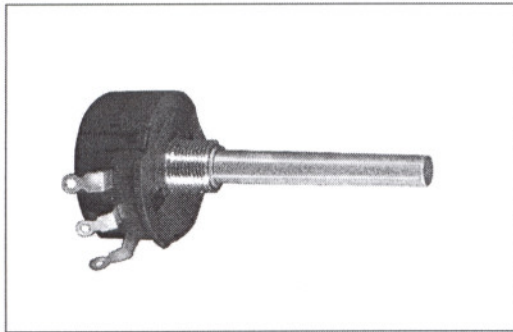
Wirewound rotary potentiometers

Via G. C. Cagliari, 8 - 20125 Milano

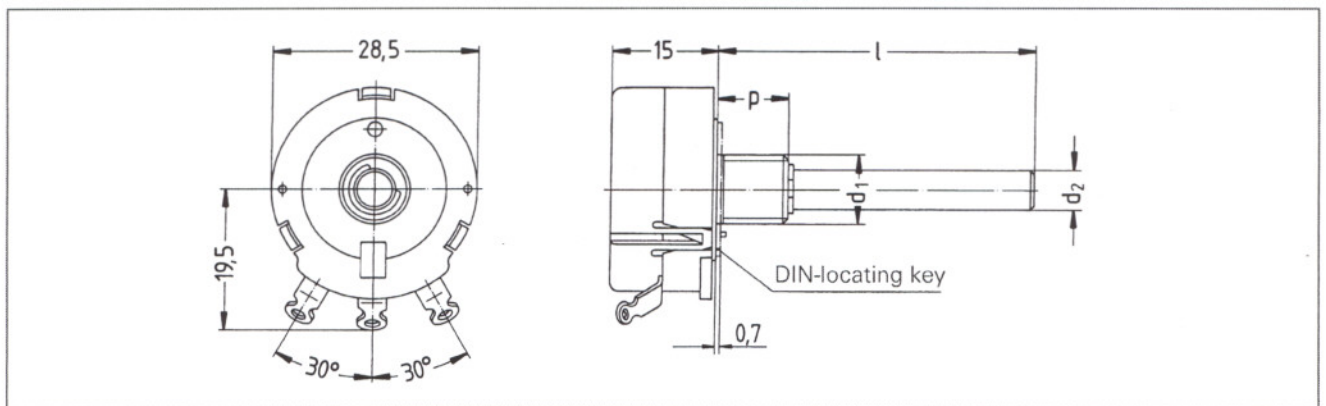
Series ABW 2

Type ABW 2 / N

Basic design: encased, nominal width 28,5 mm, solder tag terminals



Standard version with nut
Special accessories: washer or locating key



Technical data

Rated resistance range:	5 Ω - 22 kΩ
Resistance tolerance:	± 10 % (< 10 Ω ± 20 %) on request ± 5 %, ± 2 %
Law (resistance taper):	lin (lg on request)
Independent linearity:	± 2 % (on request ± 1 %)
Rated dissipation:	2 W / 40°C
Limiting element voltage:	300 V
Isolation voltage:	1 kV ~
Temperature range:	- 40°C to + 90°C
Temperature coefficient:	see table
Insulation resistance:	1 GΩ
Electrical travel:	270° ± 5°
Mechanical travel:	300° ± 5°
Operating torque:	0,7 - 2,5 Ncm
End stop torque:	100 Ncm
Durability:	10 000 cycles

Spindles

- Metal
- End of spindle according to customer specification (length, flat)

l (mm)	p (mm)	d ₂ (mm)	d ₁
standard 50	8	6	M10 x 0,75

Temperature coefficient and resolution

R _N	10 Ω	22 Ω	47 Ω	100 Ω	220 Ω	470 Ω	1 kΩ	2,2 kΩ	4,7 kΩ	10 kΩ	22 kΩ
TC-value ppm / °C	+ 400	+ 400	+ 400	+ 400	+ 40 - 80	+ 40 - 80	+ 40 - 80	+ 40 - 80	+ 40 - 80	+ 140	+ 140
Resolution %	1	0,68	0,59	0,41	0,35	0,29	0,3	0,2	0,12	0,17	0,12

Technical details subject to change