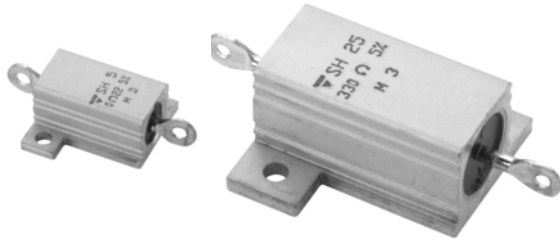


Heatsink Encased Wirewound Power Resistors Industrial Applications



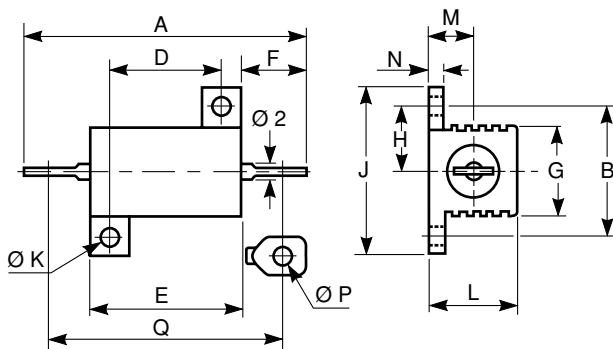
FEATURES

- 50 Watt at + 25°C
- High power characteristics
- Utilize heatsink capability
- Good mechanical protection
- Industrialized product

Built for high power dissipation applications, these components have very good overall characteristics for industrial use under harsh environmental conditions.

DIMENSIONS in millimeters

SH



MODEL AND STYLE	SH5	SH10	SH25	SH50
A	28.5 ± 1.5	35 ± 1.5	49 ± 1.3	70.2 ± 1.4
B ± 0.2	12.5	5.9	19.8	21.4
D ± 0.2	11.3	14	18.3	39.7
E ± 0.5	16.3	19	28	50
F	6.8 ± 1.5	7.9 ± 1.5	11.1 ± 1.5	11 ± 1.2
G ± 1	8.5	11	14	15.5
H ± 0.7	6.2	7.9	9.9A	10.7
J ± 0.5	16.4	20.6	27.5	29.4
Ø K ± 0.1	2.4	2.4	3.2	3.2
L max.	8.9	11	15	15
M ± 0.5	4.3	5.6	8	8
N ± 0.3	1.6	2	2.4	2.4
Ø P min.	2.1	2.1	2.1	2.1
Q	25.3 ± 1.5	30.6 ± 1.5	44.6 ± 1.3	66.5 ± 1.4
Weight in g	3	8.8	16.5	30.8

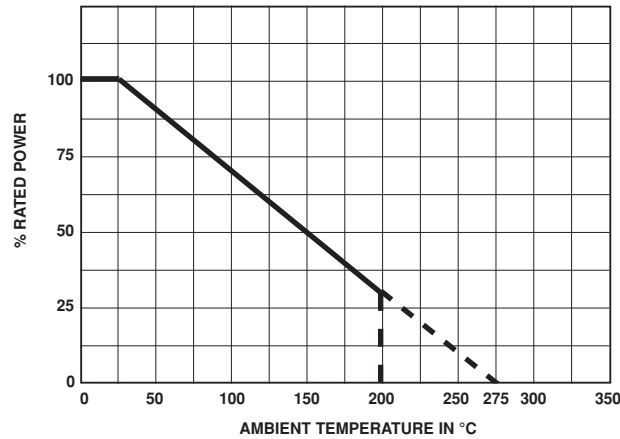
ELECTRICAL SPECIFICATIONS

VISHAY SFERNICE MODEL AND STYLE		SH5	SH10	SH25	SH50	
Power Rating	Chassis mounted resistors: 413cm ² for SH5 and SH10 536cm ² for SH25 and SH50	at 25°C	10W	12.5W	25W	50W
		at 70°C	8W	10W	20W	40W
Power Rating	Unmounted resistors	at 25°C	4W	6W	9W	12W
		at 70°C	3.2W	4.8W	7.2W	9.6W
Ohmic Value		0.1 3.3k	0.1 15k	0.1 33k	0.1 51k	
Tolerance		± 5%				
Rated Maximum Voltage		160V	250V	550V	1285V	
Dielectric Strength VRMS		800V	1000V	2000V	2000V	
Insulation Resistance		> 10 ⁴ M		> 3.10 ⁴ M		
Temperature Coefficient		± 50ppm/°C Rn > 50				
Climatic Category		55/200/56				
Temperature Limits		- 55°C + 200°C				

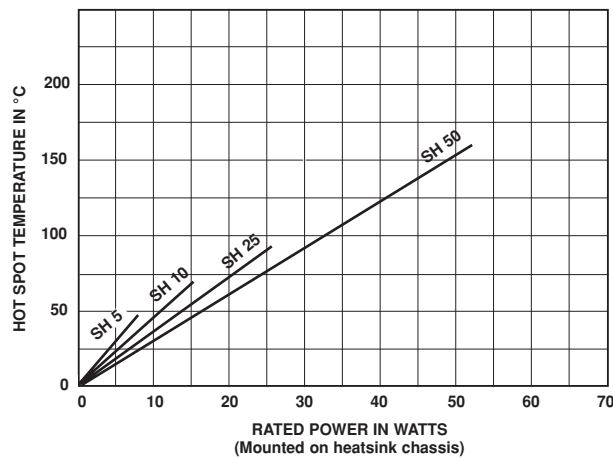


PERFORMANCE		
TESTS	CONDITIONS	TYPICAL DRIFTS
Momentary Overload	5Pn/5s	± 0.5% max. + 0.05
Climatic Sequence	- 55°C + 200°C 5 cycles	± 1% max. + 0.05
Load Life	Nominal power Pn 1000h at 25°C	± 1% max. + 0.05

POWER RATING CHART



TEMPERATURE RISE



MARKING

SFERNICE trademark, model, style, nominal resistance (in Ω), tolerance (in %), manufacturing date.

ORDERING INFORMATION			
SH	25	10k	± 5%
MODEL	STYLE	OHMIC VALUE	TOLERANCE



Notice

Specifications of the products displayed herein are subject to change without notice. Vishay Intertechnology, Inc., or anyone on its behalf, assumes no responsibility or liability for any errors or inaccuracies.

Information contained herein is intended to provide a product description only. No license, express or implied, by estoppel or otherwise, to any intellectual property rights is granted by this document. Except as provided in Vishay's terms and conditions of sale for such products, Vishay assumes no liability whatsoever, and disclaims any express or implied warranty, relating to sale and/or use of Vishay products including liability or warranties relating to fitness for a particular purpose, merchantability, or infringement of any patent, copyright, or other intellectual property right.

The products shown herein are not designed for use in medical, life-saving, or life-sustaining applications. Customers using or selling these products for use in such applications do so at their own risk and agree to fully indemnify Vishay for any damages resulting from such improper use or sale.